

PRODUCT DATASHEET

Surface mounted down light
HYD-226H-10W-3000K/4000K/6000K



Application

- Showroom
- clothing store
- Hallway
- Living room
- Decorative and accent lighting

Benefits

- No stroboscopic, reduce visual damage
- Drive performance is safe and stable, long service life
- Preferably high-light LED chip, uniform light, not dazzling

Features

- No opening design, easy installation
- The integration of design, installation is convenient
- Frosted aluminum texture, good corrosion resistance

November,02,2023

Product Datasheet

HYD-226H-10W-3000K /4000K / 6000K

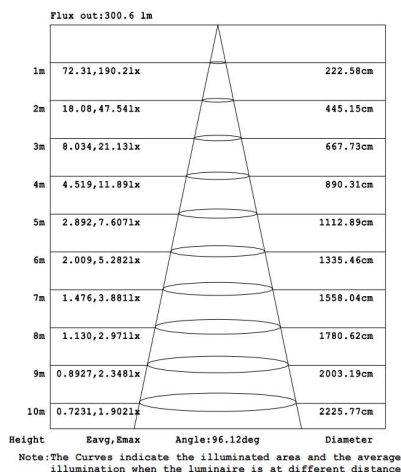
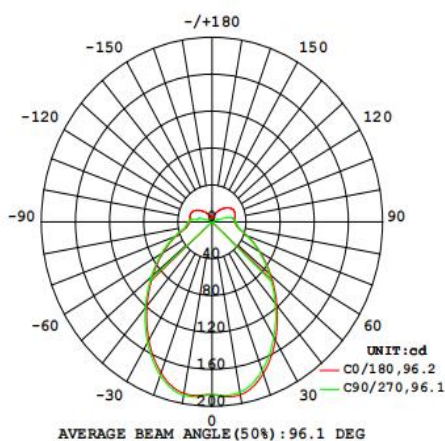
Page 1 of 4

Electrical Data

Nominal wattage (W)	10 W
Nominal Voltage (V)	220-240 V
Mains Frequency (Hz)	50-60 Hz
Nominal Current (mA)	180 mA Max
LED Driver Current (mA)	300 mA
LED Driver Voltage (V)	30-42 Vdc
LED Driver Efficiency (%)	83%
Power Factor λ	0.55 C
Total harmonic distortion (%)	...
Operating mode	Built in LED driver

Photometrical data

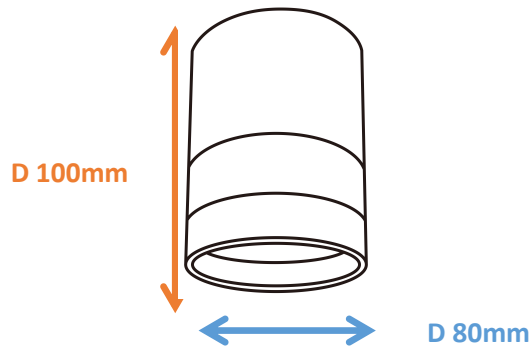
Luminous flux $\pm 10\%$ (lm)	577 lm
Luminous efficacy	61 lm/w
Color temperature	3000 K
Light color (designation)	Warm White
Color rendering index Ra	≥ 80
Standard deviation of color matching	≤ 5 SDCM
Luminous intensity	192 cd
Flickering	Flicker free
Beam angle	96 °



3000K

Dimensions & Weight

Diameter (mm)	80
Height (mm)	100
Product weight (g)	...



Material & Colors

Product color	Black / White / Golden
Housing color	Black / White / Golden
Body material	Aluminum
LGP material	PC
Reflector color	White
Mercury content	0.0 mg

Application & Mounting

Ambient temperature range	-20°C - +60 °C
Temperature range at storage	-25°C - +60 °C
Type of connection	Screw fixing
Type of protection	IP20
Dimmable	No
Mounting type	Don't open the hole
Mounting location	Ceiling
Application environment	Indoor
Cut size (mm)	No
LED module replaceable	Not replaceable
With light source	Yes

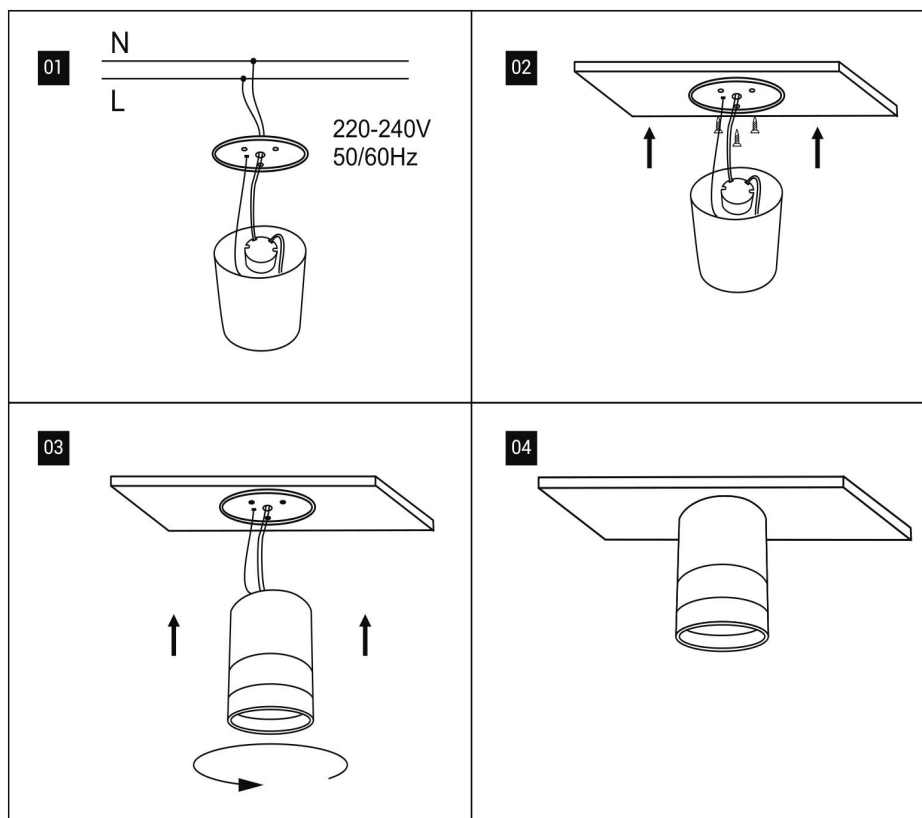
Certificates & Lifespan

Life (h)	50,000
Certificates	CB CE LVD EMC
Standards	ISO9001:2015

Logistical Data

Product code	Dimensions (L*W*H)	Pcs/ carton	G.W. kg	Volume CBM
HYD-226H-10W	42×24×34.5cm	40	...	0.03478 m ³

Installation Method



Disclaimer

Subject to change without notice. Errors and omission excepted. Always make sure to use the most recent release